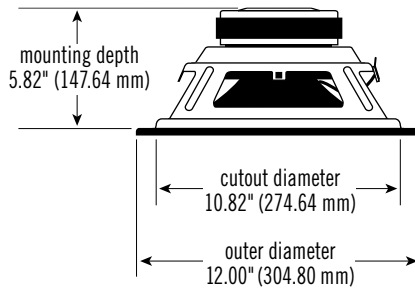


SPECIFICATIONS

DIAMETER:	12" (304.8 mm)
SENSITIVITY (2.83V @ 1 m):	89 dB
POWER HANDLING:	250 WRMS
FREQUENCY RESPONSE:	25 ~ 250 Hz
NOMINAL IMPEDANCE:	4 OHMS (PER COIL)
VOICE-COIL DIAMETER:	2.0" (50.0 mm)

DIMENSIONS:

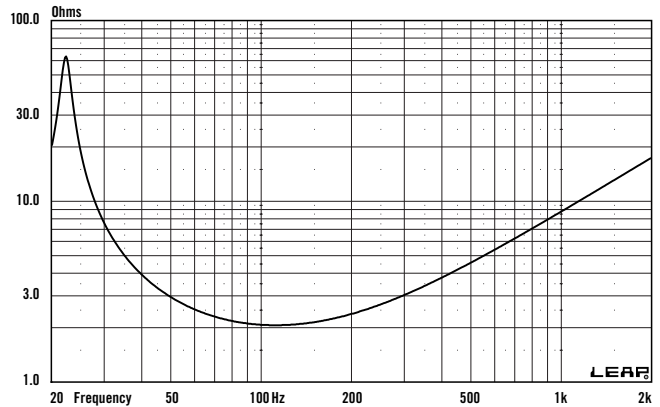


THIELE-SMALL PARAMETERS*

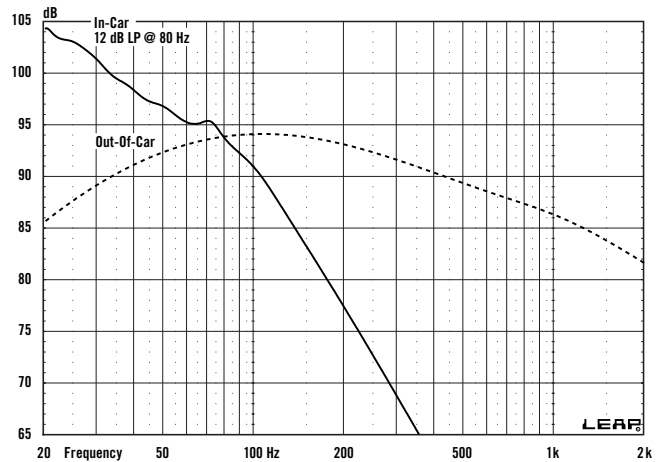
VOICE COIL DC RESISTANCE:	REVC (OHMS)	2.00
VOICE COIL INDUCTANCE @ 1 kHz:	LEVC (MH)	1.38
DRIVER RADIATING AREA:	SD (IN ²)	78.86
	SD (CM ²)	511.00
MOTOR FORCE FACTOR:	BL (TM)	8.62
	COMPLIANCE VOLUME:	VAS (FT ³)
	VAS (LITERS)	154.99
SUSPENSION COMPLIANCE:	CMS (µM/N)	418.00
MOVING MASS, AIR LOAD:	MMS (GRAMS)	113.76
MOVING MASS, DIAPHRAGM:	MMD (GRAMS)	107.12
FREE-AIR RESONANCE:	Fs (Hz)	23.08
MECHANICAL Q:	QMS	14.29
ELECTRICAL Q:	QES	0.44
TOTAL Q:	QTS	0.43
MAGNETIC-GAP HEIGHT:	HAG (IN)	0.31
	HAG (MM)	8.00
VOICE-COIL HEIGHT:	HVC (IN)	1.06
	HVC (MM)	27.00
MAXIMUM EXCURSION:	XMAX (IN)	0.37
	XMAX (MM)	9.50

*VOICE COILS CONNECTED IN PARALLEL

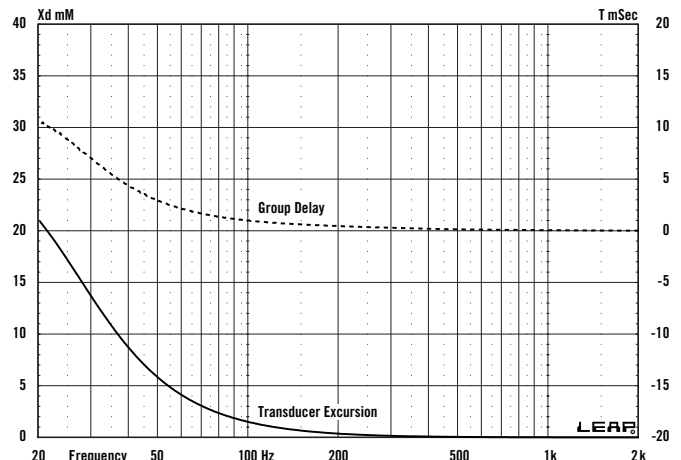
IMPEDANCE CURVE



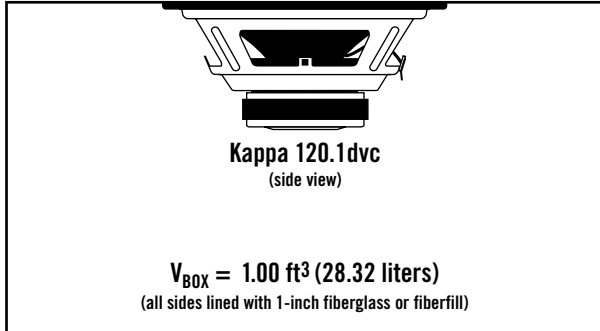
INFINITE BAFFLE FREQUENCY RESPONSE @ 2.83 V



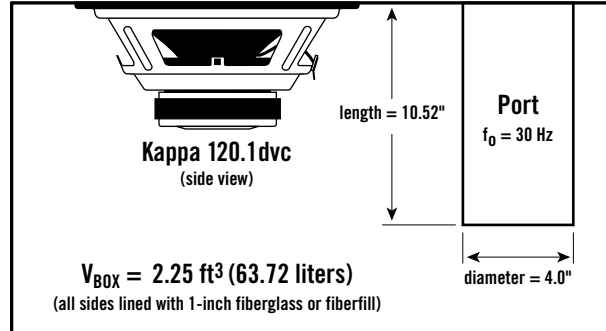
INFINITE BAFFLE EXCURSION/GROUP DELAY @ 150 W



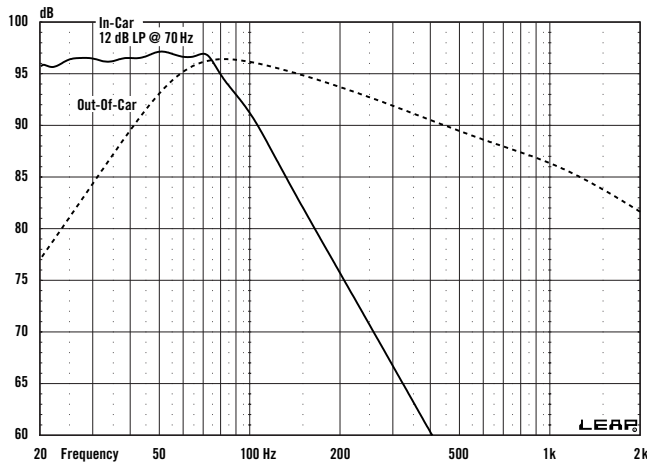
SEALED BOX VOLUME



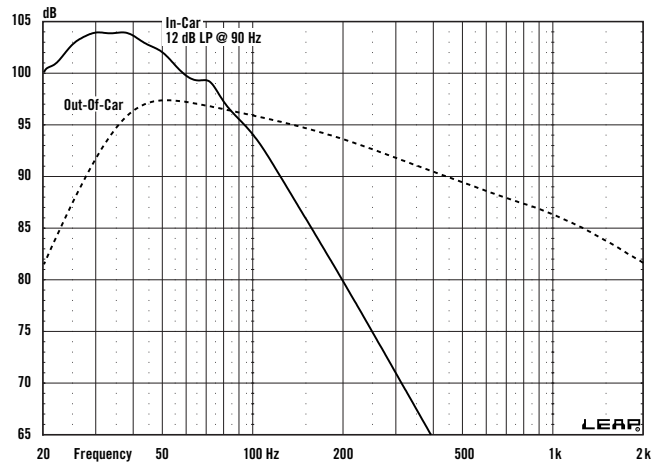
VENTED BOX VOLUME



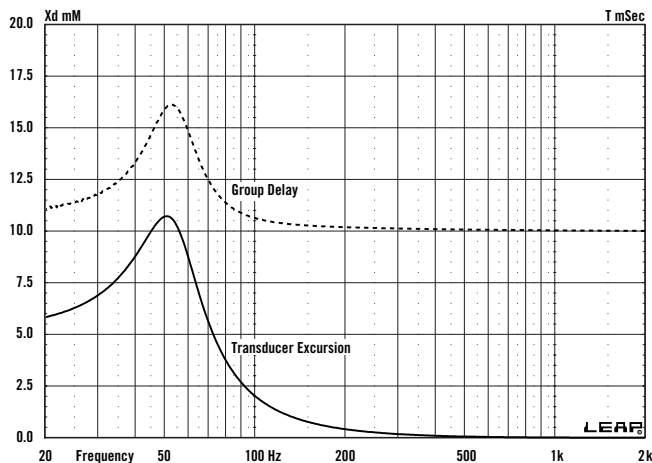
SEALED FREQUENCY RESPONSE @ 2.83 V



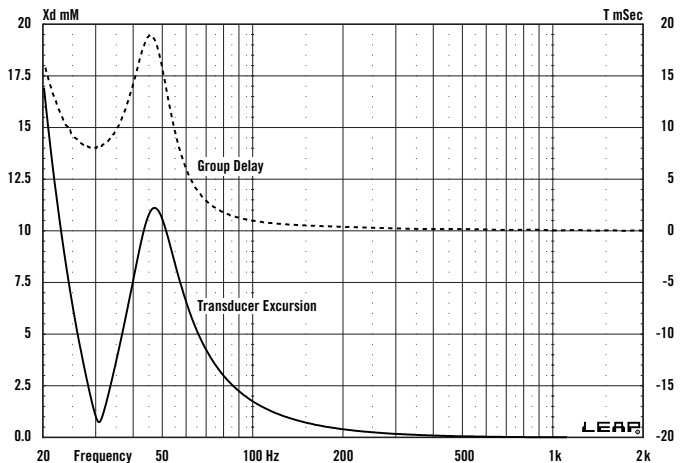
VENTED FREQUENCY RESPONSE @ 2.83 V



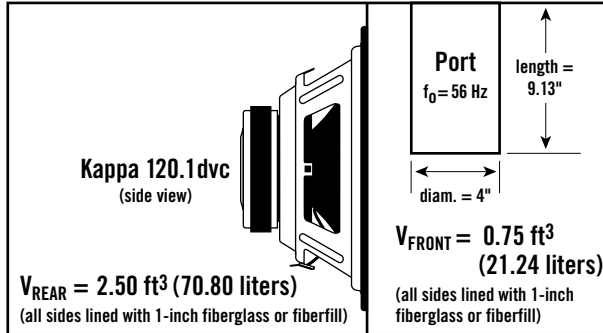
SEALED EXCURSION/GROUP DELAY @ 300 W



VENTED EXCURSION/GROUP DELAY @ 350 W

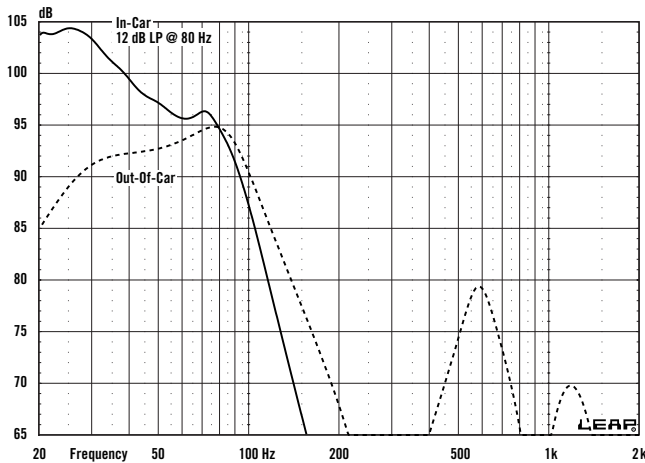


SEALED BANDPASS BOX VOLUME



NOTES

SEALED BANDPASS FREQUENCY RESPONSE @ 2.83 V



SEALED BANDPASS EXCURSION/GROUP DELAY @ 300 W

